

On-Grade Finished Area Floor Drains

FD-200-RS Floor Drain with Rectangular Strainer



Model Number	Weight (lbs.)	Str. Size	Outlet Size	Strainer	List Price
FD-202, 3, 4-RS48	12	4"x8"	2, 3, 4"	nickel bronze	\$992.00
FD-202, 3, 4-RS412	14	4"x12"	2, 3, 4"	nickel bronze	1,212.50
FD-202, 3, 4-RS517	24	5"x17"	2, 3, 4"	nickel bronze	1,462.00

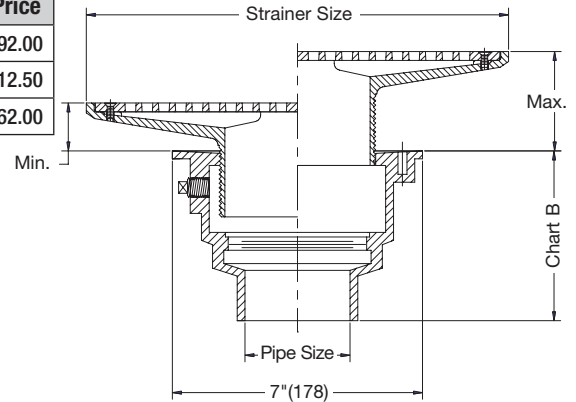


Chart A		
Strainer	Min.	Max.
4"x8"	1 1/2"	2 3/4"
4"x12"	1 1/2"	3"
5"x17"	1 1/2"	3 1/2"

Chart B			
Pipe Size	No Hub	Push On	PVC/ABS
2"	4 3/4"	5 1/2"	4"
3"	4 3/4"	5 1/2"	4"
4"	4 3/4"	5 1/2"	4"

FD-200-VD Floor Drain with Round Hinged Solid Cover



Model Number	Weight (lbs.)	Str. Size	Outlet Size	Strainer	List Price
FD-202, 3, 4-VD	15	6" cover	2, 3, 4"	nickel bronze	\$805.00

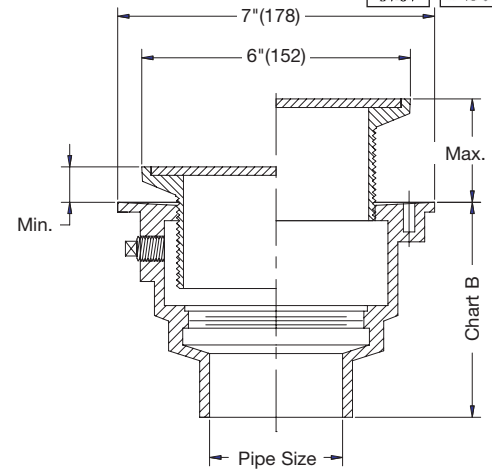


Chart B			
Pipe Size	No Hub	Push On	PVC/ABS
2"	4 3/4"	5 1/2"	4"
3"	4 3/4"	5 1/2"	4"
4"	4 3/4"	5 1/2"	4"

Note: Funnels are ordered separately.
See page 63 for details.

Options for FD-200 Series:

Suffix	Description	List Price	Suffix	Description	List Price
None	No Hub Outlet	No Add	-15	Strainer Extension (DD-50)	\$141.00
P	Push-On Outlet	No Add	-60	PVC Body w/Socket Outlet	No Add
X	Inside Caulk	No Add	-61	ABS Body w/Socket Outlet	No Add
-5	Sediment Bucket	\$108.00	-F4-50	4" Round Cast Iron Funnel	179.00
-6	Vandal Proof	54.50	-F4-1	4" Round Nickel Bronze Funnel	428.00
-7	Trap Primer Tapping	No Add	-F6-1	6" Round Nickel Bronze Funnel	625.50
-8	Ball Float Backwater Valve (2,3,4" Only)	377.50	-G-50	4x9" Oval Cast Iron Funnel	423.00
-13	Galvanized Body	195.50	-G-1	4x9" Oval Nickel Bronze Funnel	872.00

Consult factory for all applications outside of listed parameters.
Prices do not include applicable taxes.

